

# KIT INSTRUCTIONS

PIN Pad (Standard) - Verifone

**Release 1.0**



---

The product described in this document is a licensed product of NCR Corporation.

NCR is a registered trademark of NCR Corporation. Product names mentioned in this publication may be trademarks or registered trademarks of their respective companies and are hereby acknowledged.

The terms HDMI and HDMI High-Definition Multimedia Interface, and the HDMI Logo are trademarks or registered trademarks of HDMI Licensing LLC in the United States and other countries.

Where creation of derivative works, modifications or copies of this NCR copyrighted documentation is permitted under the terms and conditions of an agreement you have with NCR, NCR's copyright notice must be included.

It is the policy of NCR Corporation (NCR) to improve products as new technology, components, software, and firmware become available. NCR, therefore, reserves the right to change specifications without prior notice.

All features, functions, and operations described herein may not be marketed by NCR in all parts of the world. In some instances, photographs are of equipment prototypes. Therefore, before using this document, consult with your NCR representative or NCR office for information that is applicable and current.

To maintain the quality of our publications, we need your comments on the accuracy, clarity, organization, and value of this book. Please use the link below to send your comments.

*Email:* [FD230036@ncr.com](mailto:FD230036@ncr.com)

Copyright © 2016—2017

By NCR Corporation

Duluth, GA U.S.A.

All Rights Reserved

## Revision Record

Issue	Date	Remarks
A	Apr 2017	First Issue

---

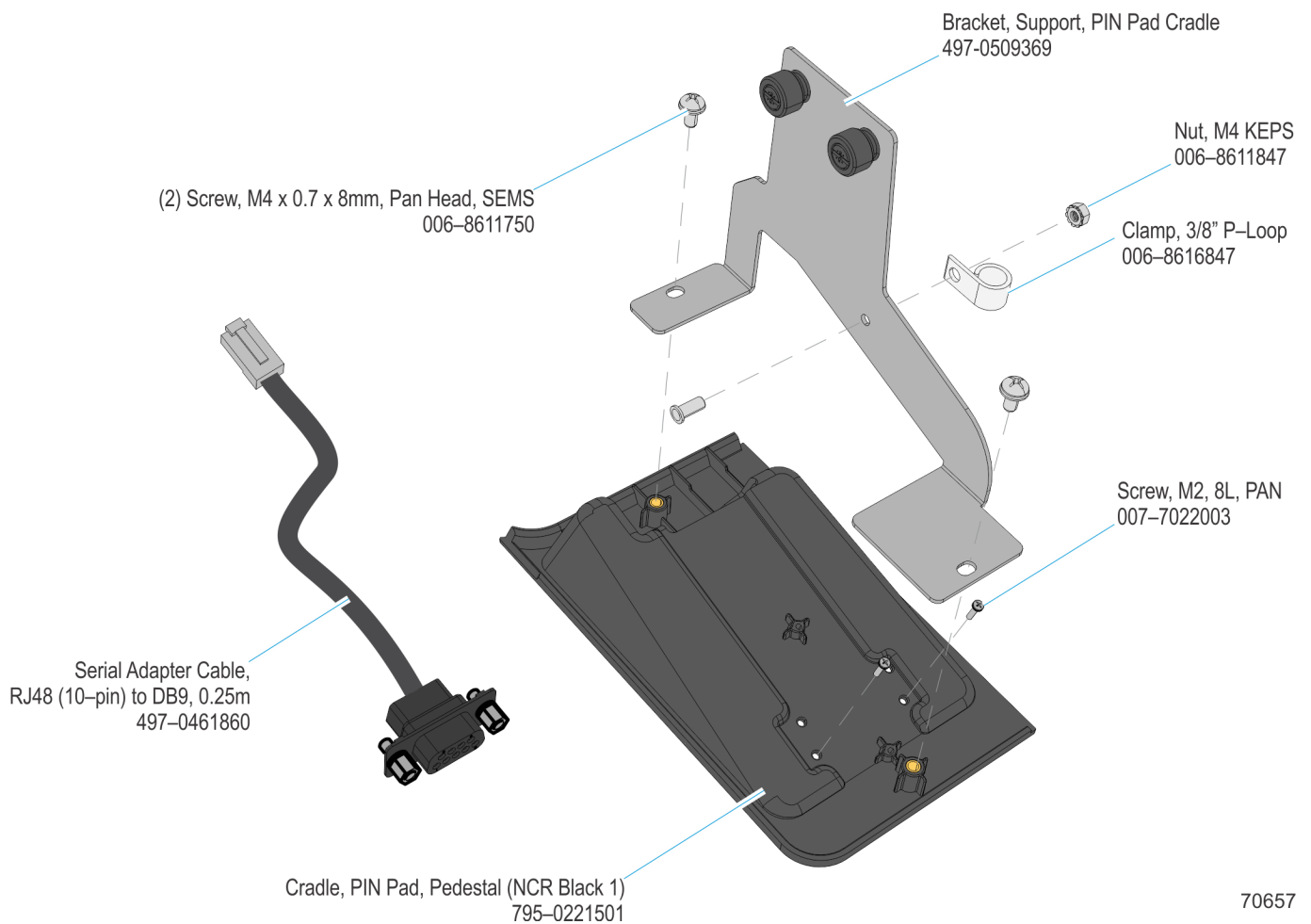
# PIN Pad (Standard) – Verifone

---


## Introduction


This kit provides the components to install a Verifone (VX805/VX820) PIN pad bracket to the NCR TouchPort 120 (2368) Kiosk.

## Kit Content




# Installation Instructions

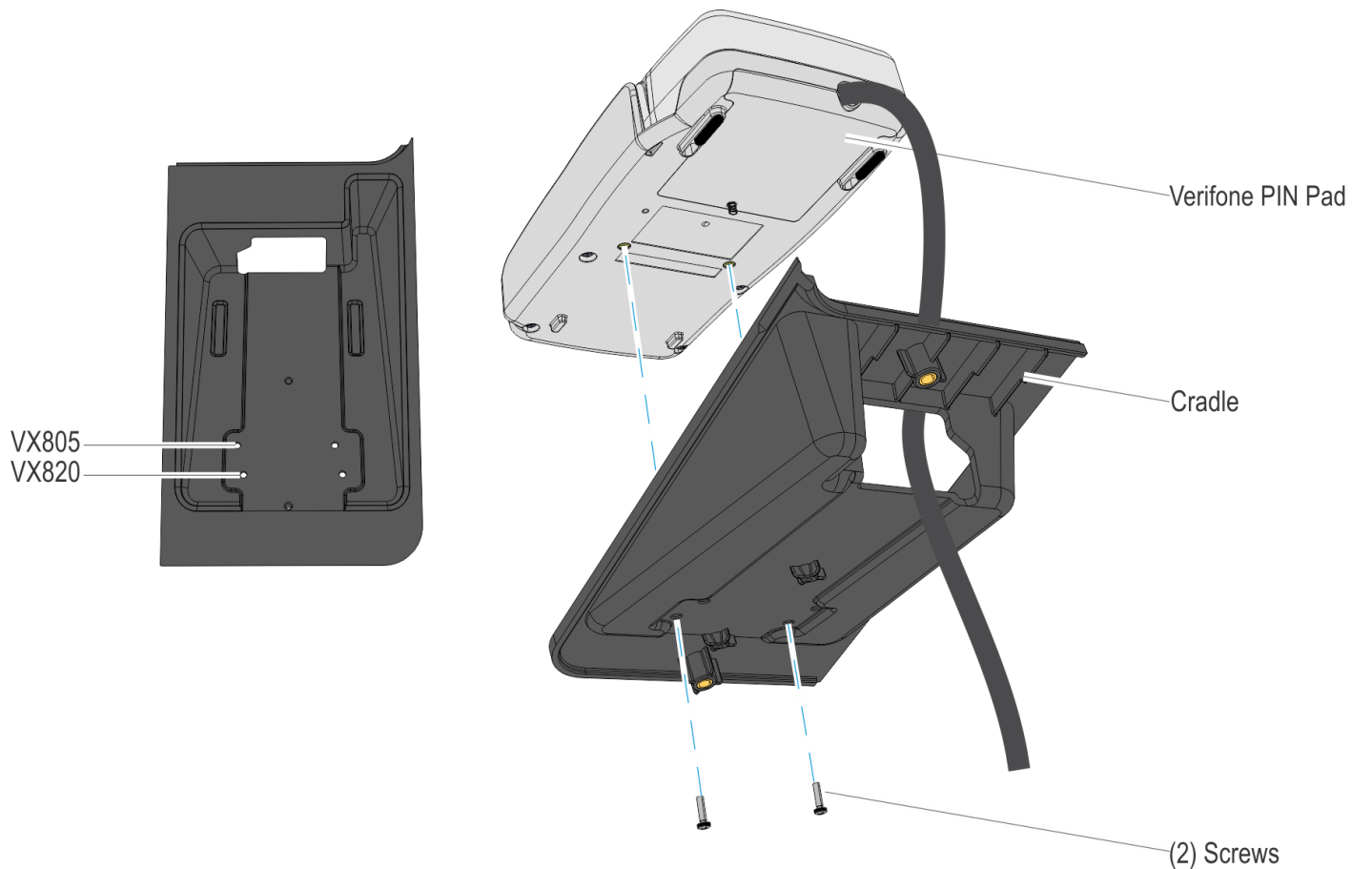
 **Warning:** Disconnect the AC power cord before disassembling the Terminal.

 **Caution:** Static Electricity Discharge may permanently damage your system. Discharge any static electricity build up in your body by touching your computer's case for a few seconds. Avoid any contact with internal parts and handle cards only by their external edges.

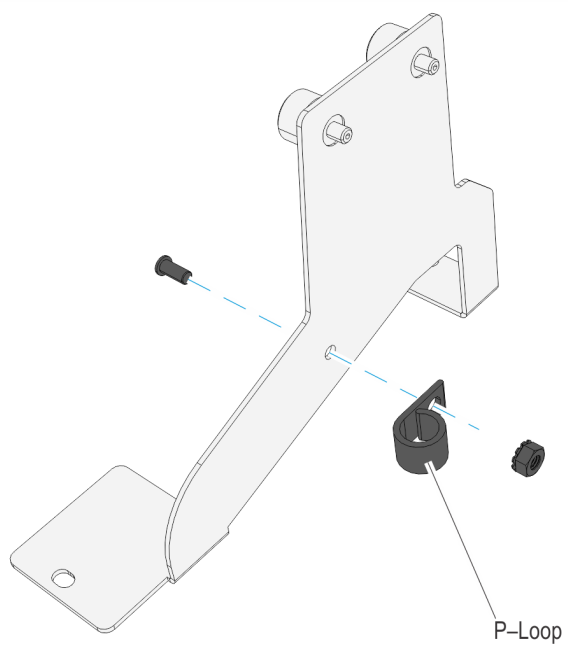
To install the Verifone PIN Pad to the NCR TP120 Self Check-In (2368) Kiosk, perform the following steps:

1. Mount the Verifone PIN Pad and route the cable out of the Cradle. Secure with Screws (2).

 **Note:** Secure the Verifone VX805 PIN Pad using the top mounting holes and the Verifone VX820 PIN Pad using the bottom mounting holes.

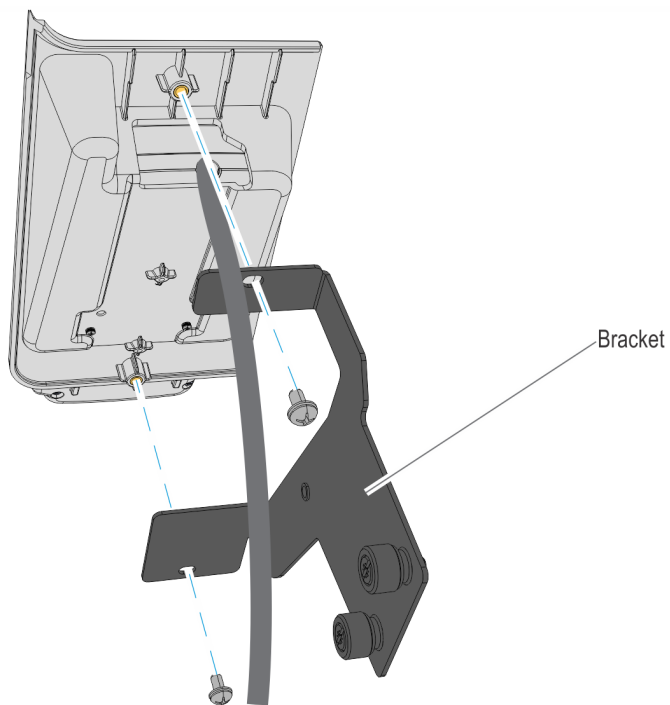


2. Install the 3/8" P-Loop at the back of the bracket. Secure with screw (1).



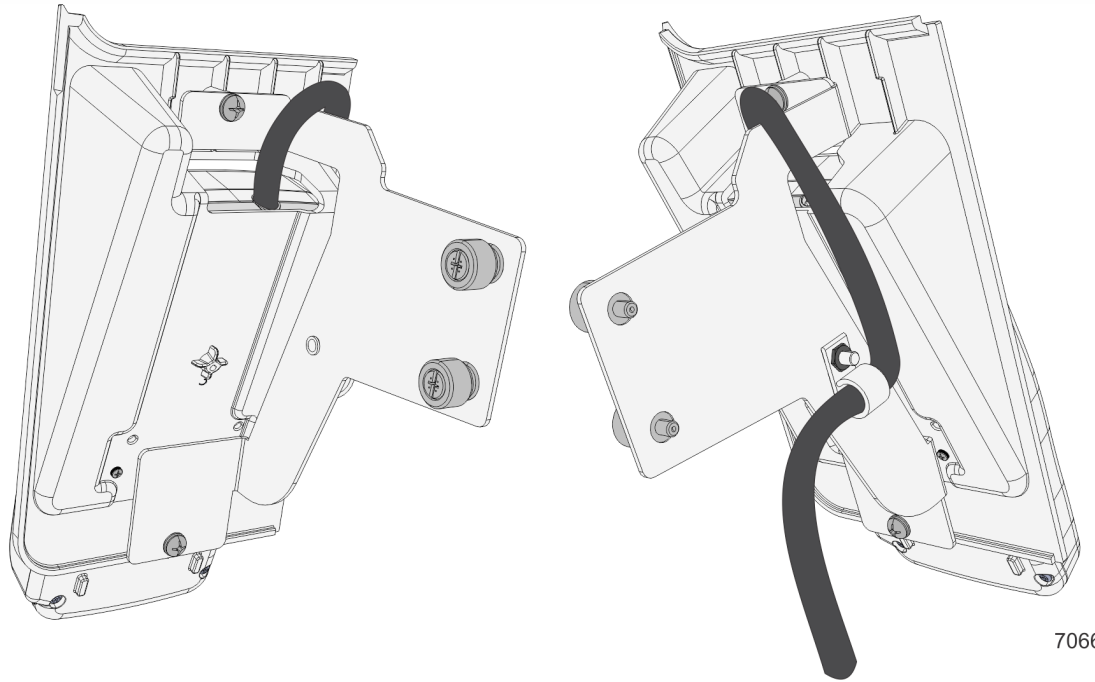
70652

3. Mount the Bracket on the PIN Pad Cradle assembly. Secure with screws (2).



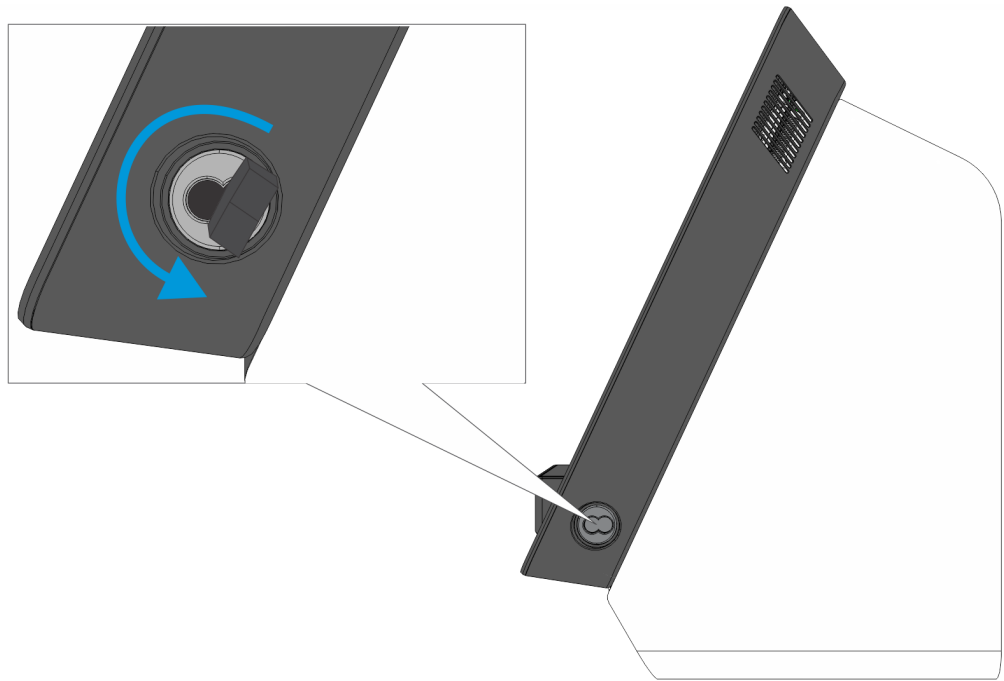
70651

4. Route the PIN pad cable through the P-Loop.



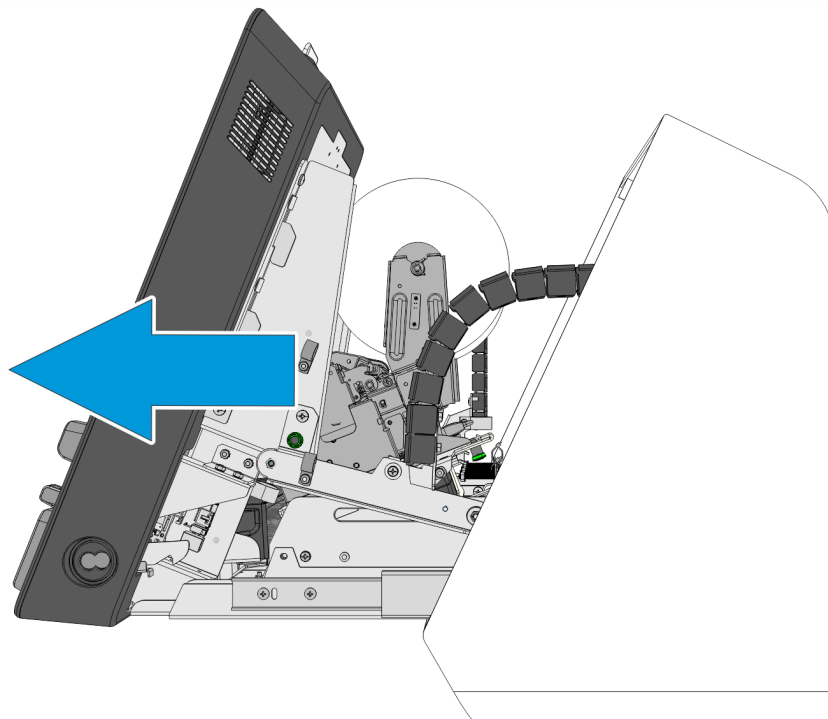
70661

5. Turn the black plastic key counterclockwise to unlock the unit.



70656

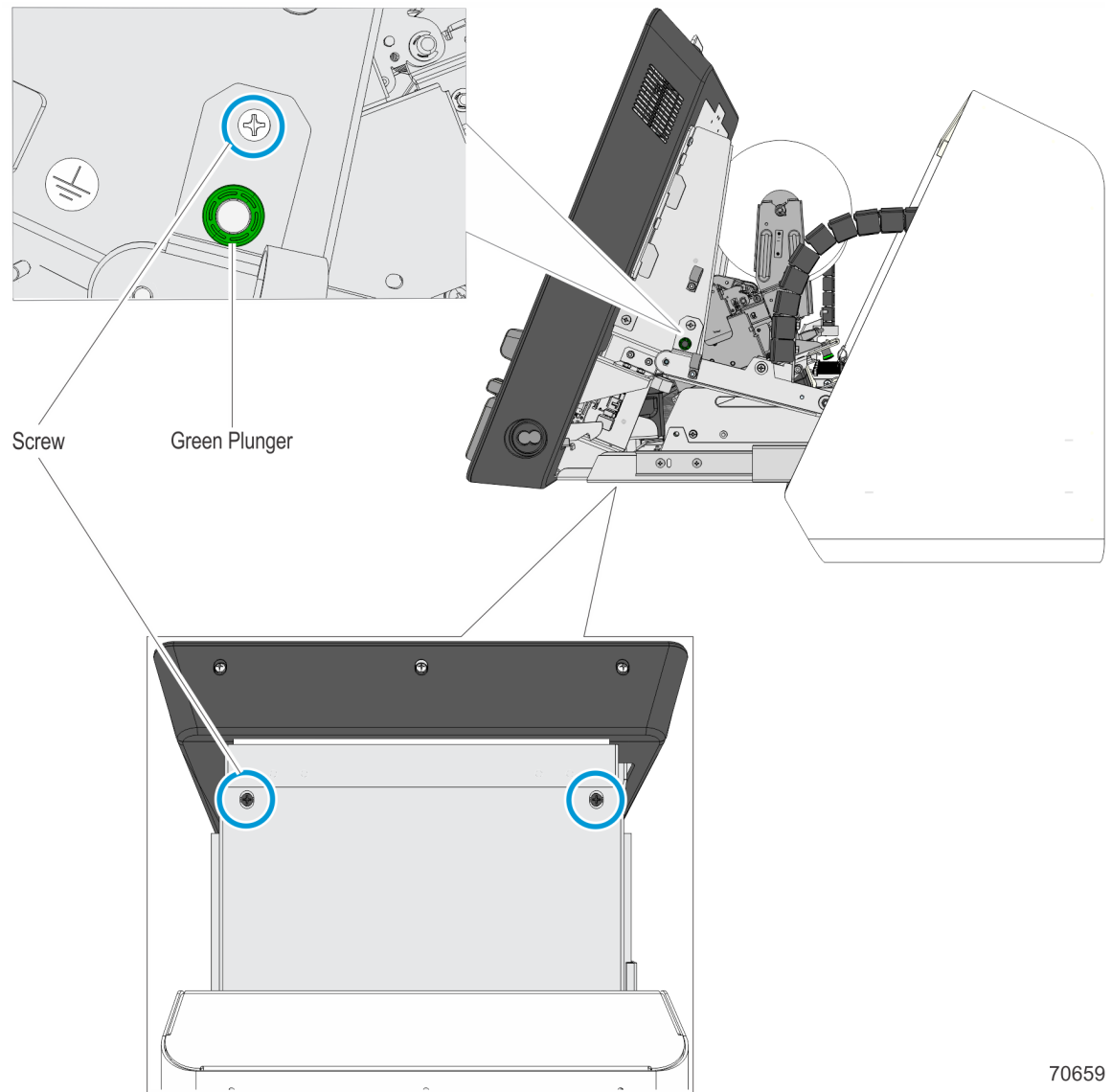
6. Pull the Countertop assembly.



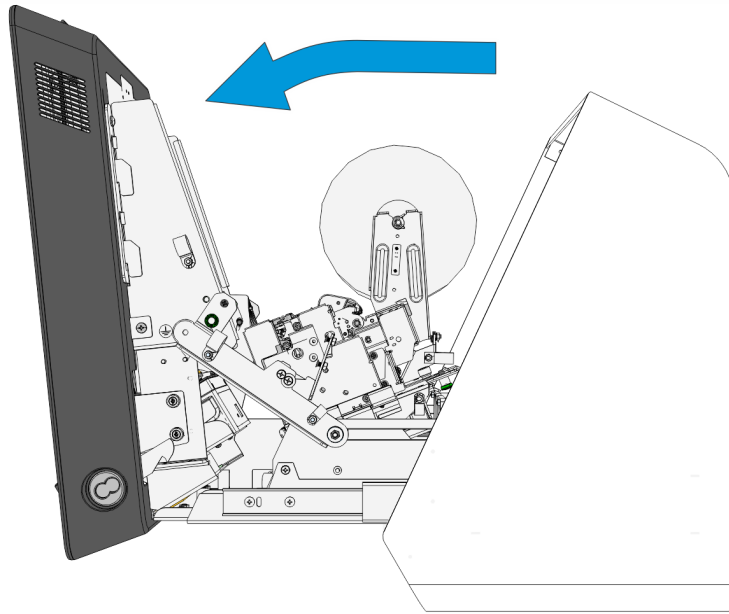
70655



7. Remove the screw beside the green plunger on each side of the unit and the screws (2) at the bottom of the Display Head assembly.

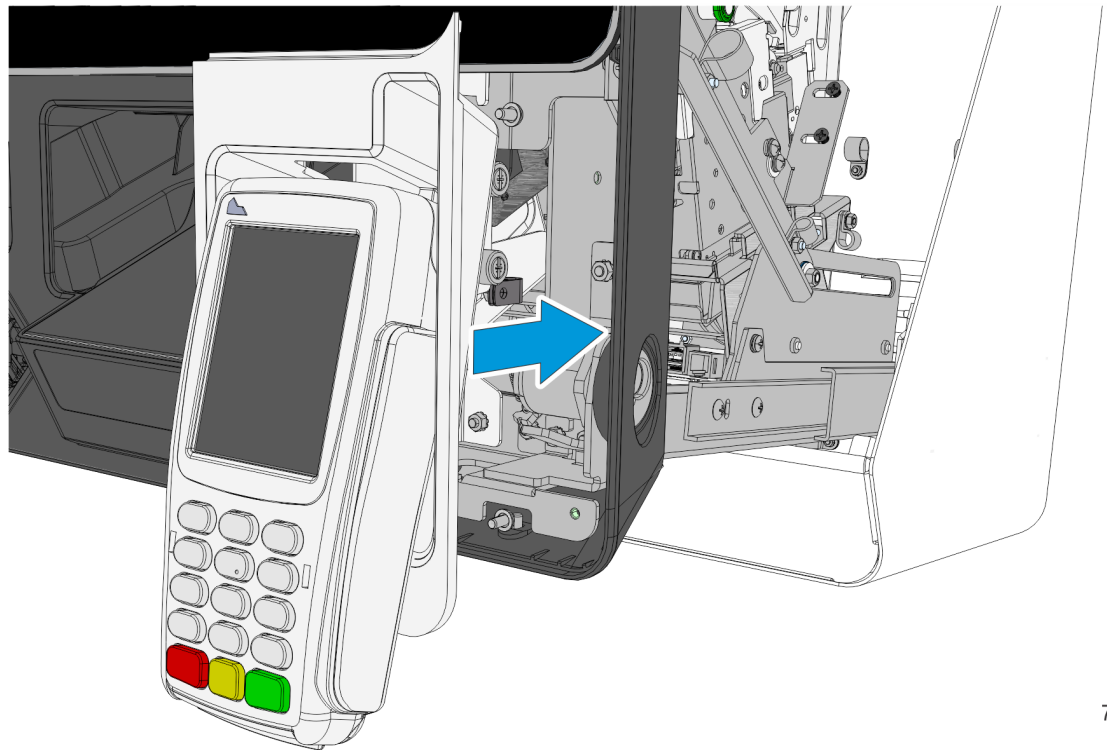


8. Pull the green plungers and twist it to a 90-degree angle on each linkage bracket, left and right, then lift the top of the unit forward until it stops.



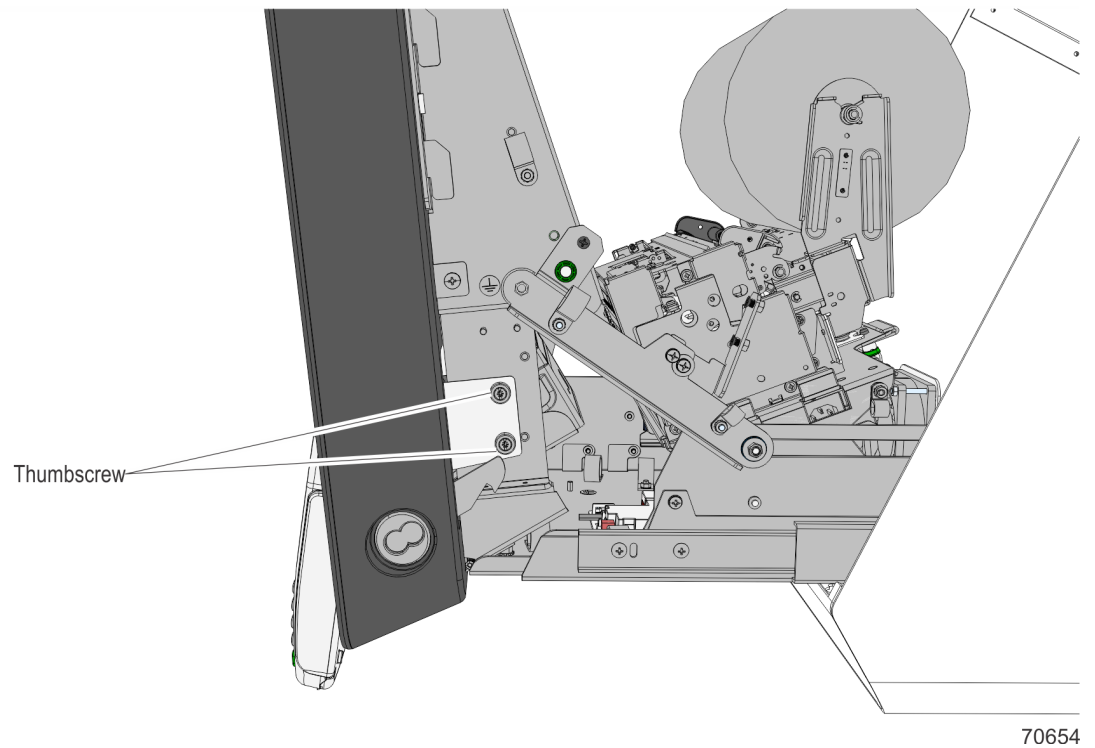
70660

9. Remove the MSR and NFC assembly installed on the left of the lower fascia. See [Removing the MSR and NFC Assembly](#) on page 9 .
10. Install the PIN pad cradle assembly to the left of the lower fascia.



70653

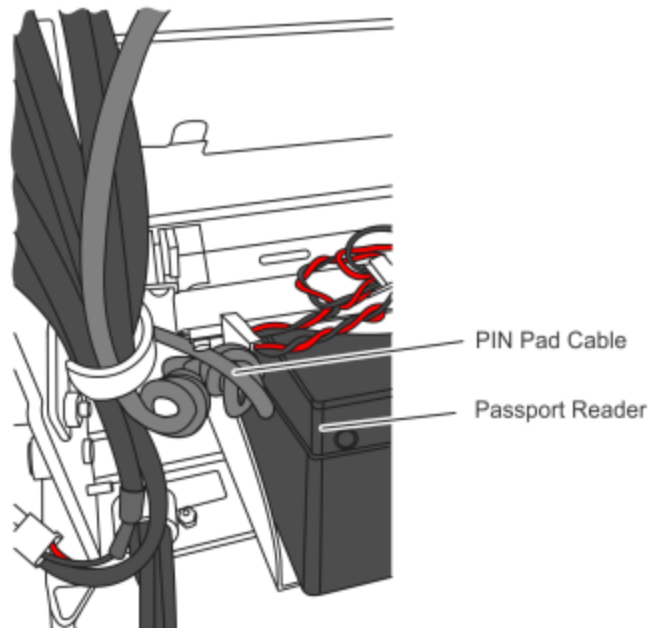
11. Tighten thumbscrews (2) to secure the assembly.



12. Connect the Verifone PIN pad cable to the **USB A** port on the motherboard.



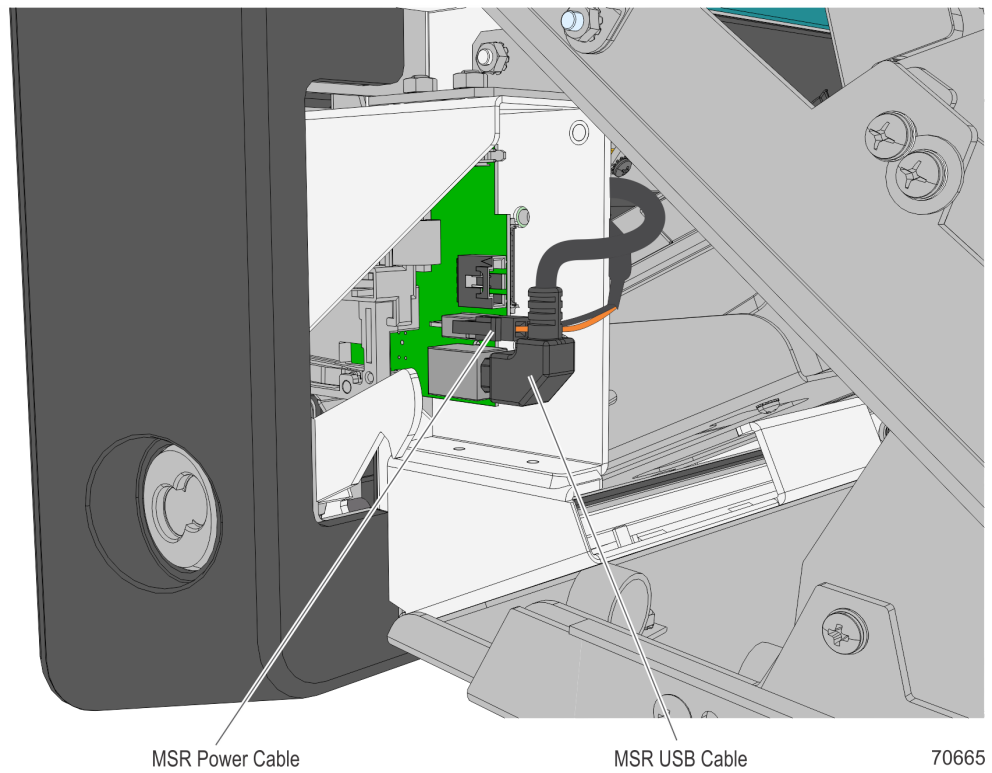
**Note:** To prevent damage to the PIN pad cable, tuck it beside the Passport Reader.



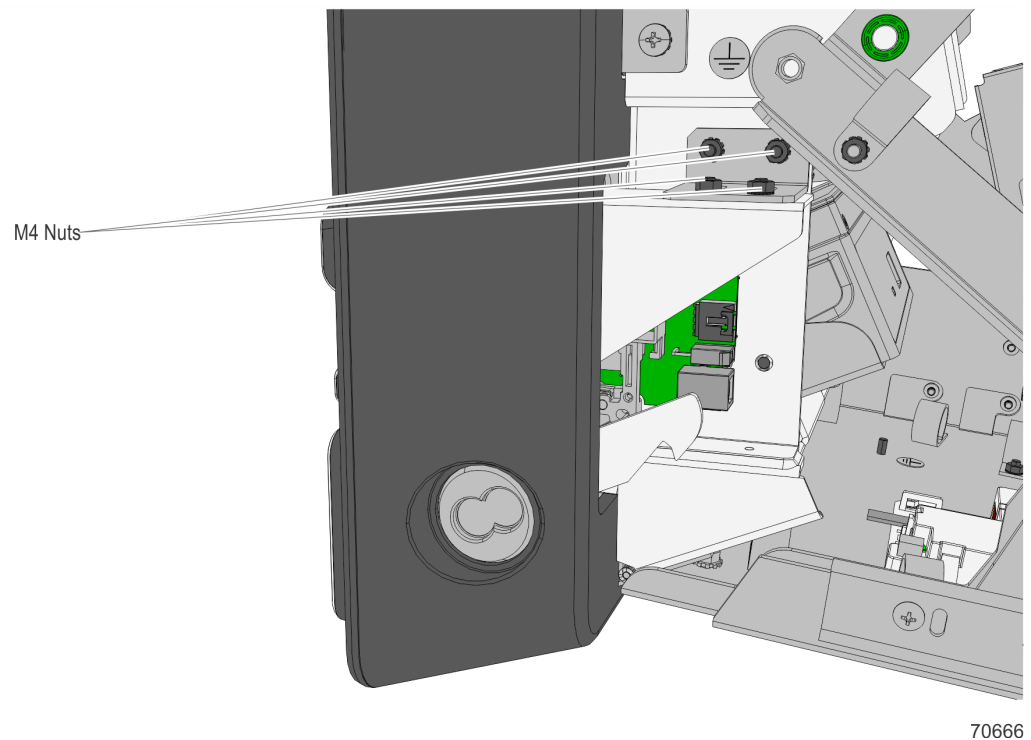
13. Close and lock the unit.

## Removing the MSR and NFC Assembly

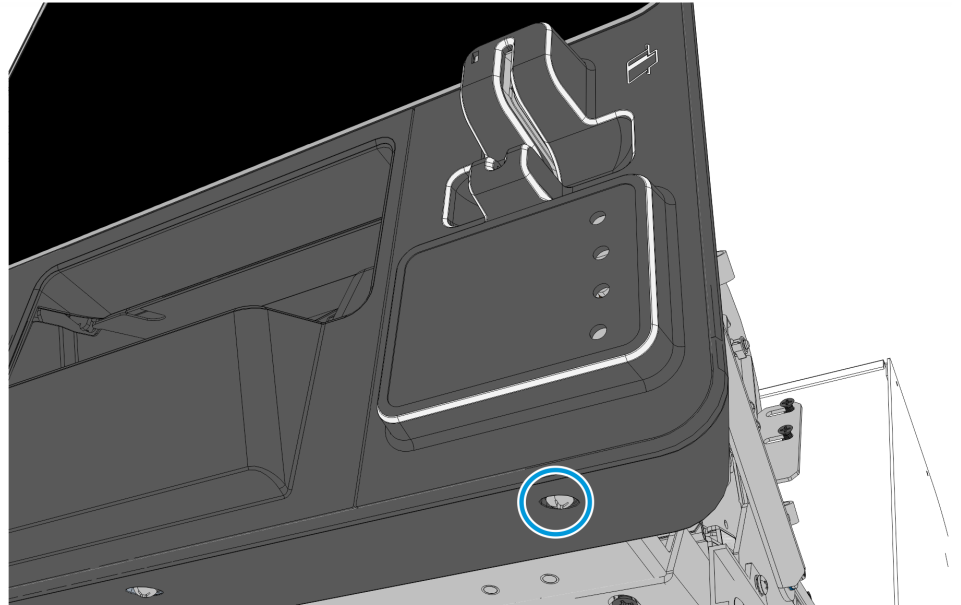
1. Unplug the MSR USB Cable and Power Cable.



2. Remove the M4 nuts (4).

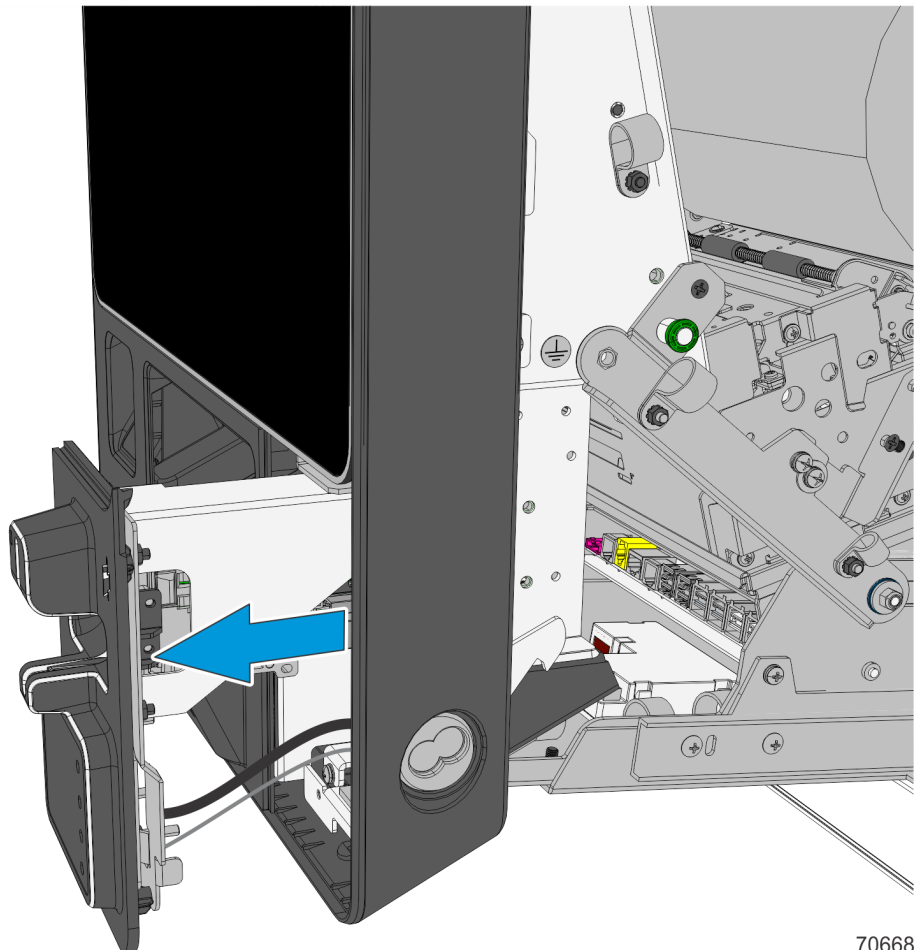


3. Remove the screw at the bottom of the MSR and NFC assembly.



70667

4. Partially remove the MSR and NFC Assembly just enough to provide access to the cables.



70668

5. Unplug the NFC Modular Jack from the controller receptacle and the NFC Antenna Wire from the NFC module.

